

# VertiClip® SLD w/ 3" slots

Interior Head of Wall

The Steel Network, Inc.

www.steelnetwork.com

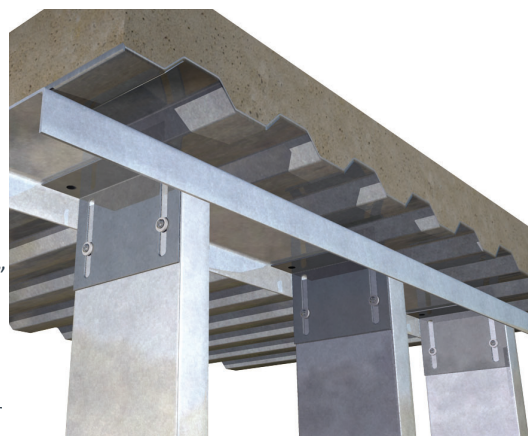
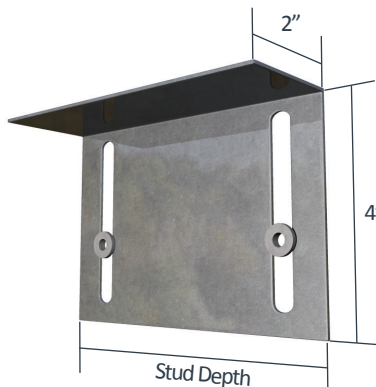
1-888-474-4876



### Material Composition

ASTM A1003/A1003M Structural Grade 50 (340) Type H, ST50H (ST340H): 50ksi (340MPa) minimum yield strength, 65ksi (450MPa) minimum tensile strength, 33mil minimum thickness (20 gauge, 0.0346" design thickness) with ASTM A653/A653M G60 (Z180) hot dipped galvanized coating.

The attachment of VertiClip SLD w/ 3" slots to the primary structure may be made with PAFs or screw/bolt anchors and is dependent up the base material (steel or concrete) and the design configuration.



US Patents #5,467,566 & #5,906,080

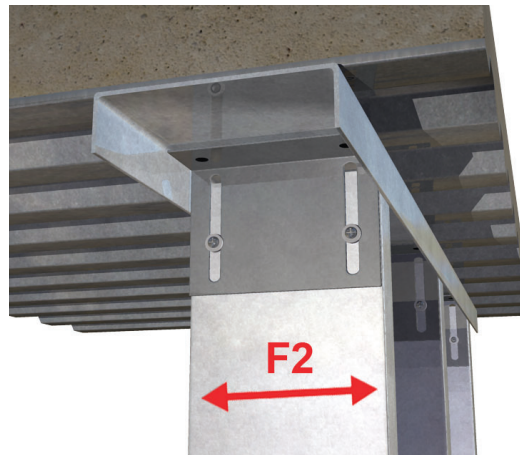
### VertiClip SLD w/ 3" Deflection Allowable (Unfactored) Loads<sup>1</sup>

VertiClip® SLD w/ 3" Deflection, Recommended Allowable Load (lbs): F2			
	F2 -Load Direction		
	SLD362, s3lg,b2d	SLD600, s3lg,b2d	SLD800, s3lg,b2d
Screw Patterns with #8 Screws	w/ 2 #8 Screws	w/ 2 #8 Screws	w/ 2 #8 Screws
18mil (25ga), 33ksi Stud	132	132	132
27mil (22ga), 33ksi Stud	185	242	242
30mil (20ga-Drywall), 33ksi Stud	185	242	251
33mil (20ga-Structural), 33ksi Stud	185	242	251
33mil (20ga), 50ksi Stud	185	242	251
43mil (18ga), 33ksi Stud	185	242	251
43mil (18ga), 50ksi Stud	185	242	251
54mil (16ga), 33ksi Stud	185	242	251
54mil (16ga), 50ksi Stud	185	242	251
<b>Maximum Allowable Clip Load</b>	<b>185</b>	<b>242</b>	<b>251</b>

### Notes:

- VertiClip SLD s3lg, b2d is designed to support horizontal loads, and should not be used in axial load-bearing walls.
- Allowable loads have not been increased for wind, seismic, or other factors.
- Meets IBC criteria for light steel framing. Factor of Safety calculated according to ICC-ES AC261 and Chapter K of AISI S100.
- Tests performed with with bushings centered in the 3" slots.
- The standard bushing placement is 2" from the top of the slot an allows the structure to settle 1/2" prior to typical service.
- Total vertical deflection of up to 3" (1-1/2" up and 1-1/2" down).
- #8 screws are provided with each step bushing for attachment to the stud web.
- Fasten within 3/4" of the angle heel (centerline of the 1-1/2" leg) to minimize eccentric load transfer.
- For LRFD strengths contact TSN technical services.

### Load Direction



### Nomenclature

VertiClip SLD with 3" deflection is is designated by type (SLD), followed by stud depth in inches multiplied by 100, slot length (s "length in inches" lg), and bushing placement (b "distance from top slot in inches" d).

**Example:** 6" deep stud, 3" slot, bushings 2" down from top of slot

**Designate:** VertiClip® SLD600,s3lg,b2d