



Installation Guide

Product Description

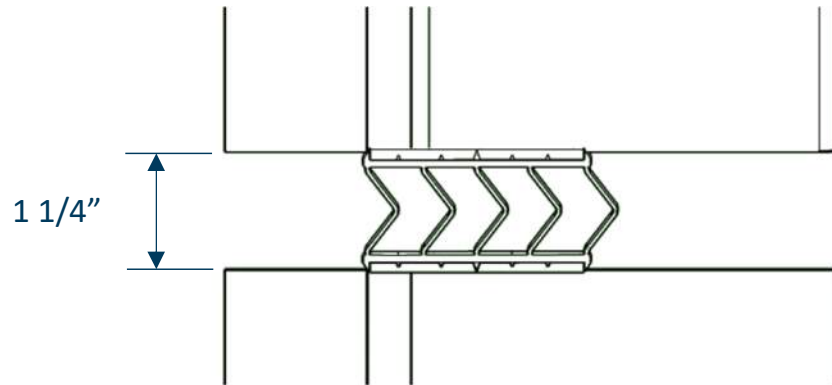
ISEAL EP (Exterior Panel) is a compressed fit extruded silicone gasket system developed specifically for STO panel technology. ISEAL EP is for above grade exterior wall panel conditions, it provides air and water infiltration protection, and is not susceptible to UV damage. The system consists of extruded silicone gaskets that are adhered to the substrate/panels with DOW silicone sealant. The proprietary ISEAL EP Exoskeletal 4-way Splice is used at all splices to ensure continuity of performance at splices.

- General Information
- Shop Installation
- Site Installation

The information contained in this Guide is intended to be used as a general guideline only and does not replace the judgment and designs of a qualified architect and/or engineer. Product, application renderings and photographs are provided as a tool to show the general intent of the seal system application only. These renderings or photographs may or may not be applicable to a specific project. They do not replace or supersede the architect or engineer of record, national or local building codes, or approved industry standards. The information herein may be changed or modified without prior notice or obligation.

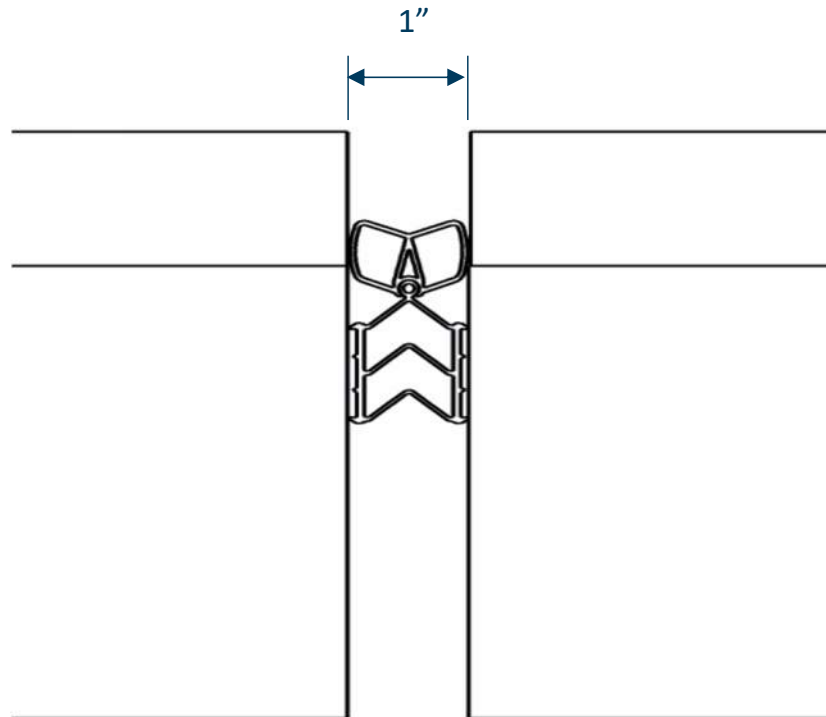
Note: Nominal Joint Setting of 1 1/4"

TYPICAL HORIZONTAL JOINT



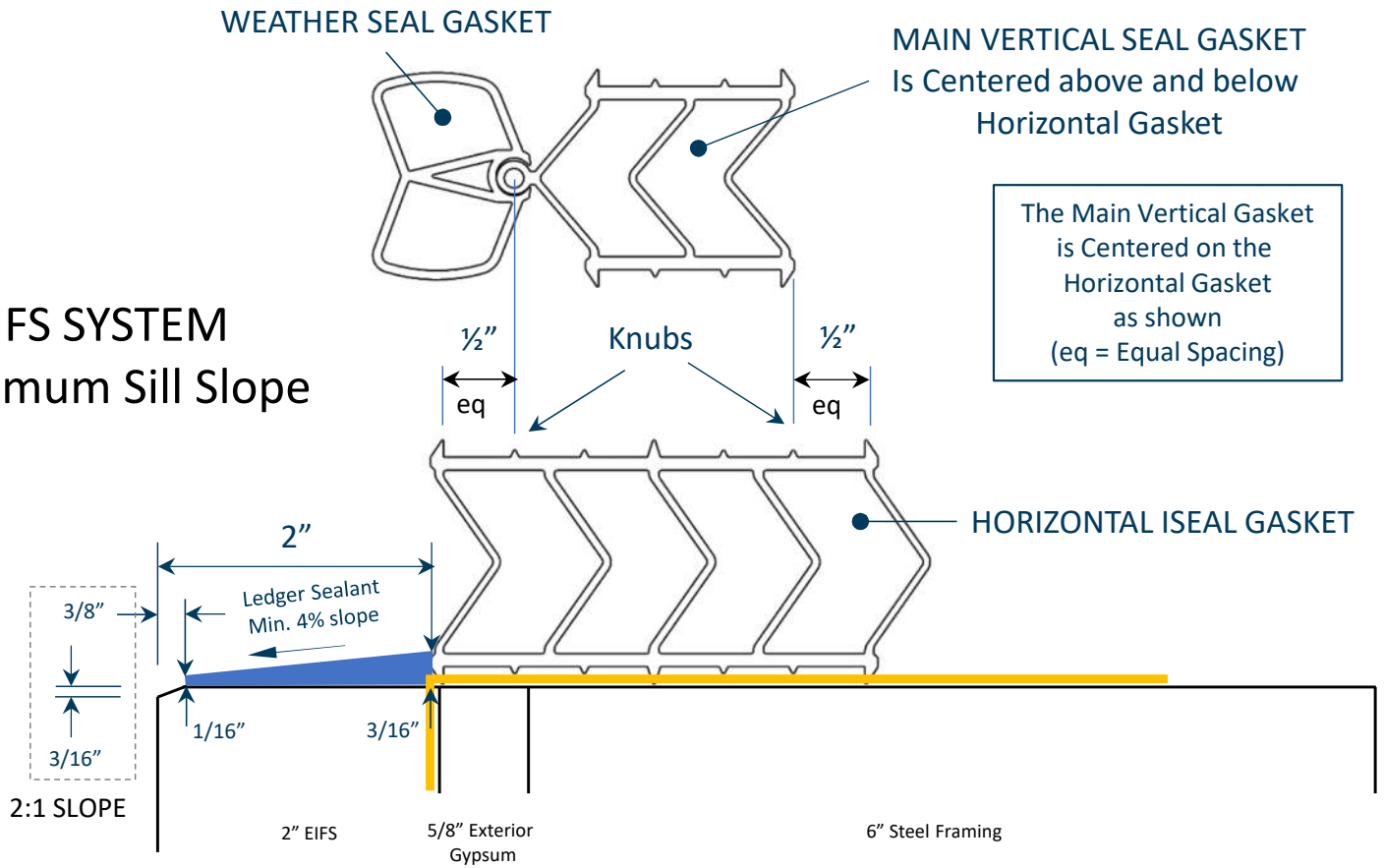
Note: Nominal Joint Setting of 1"

TYPICAL VERTICAL JOINT

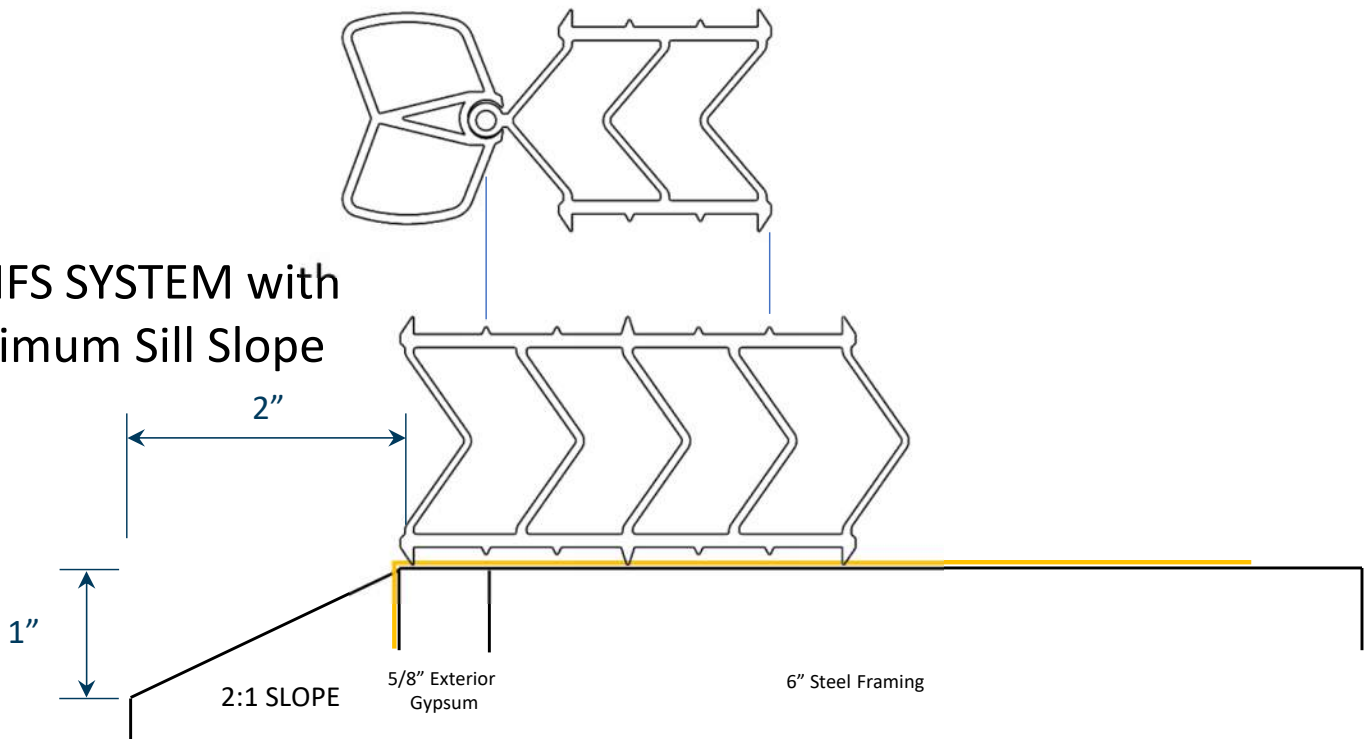


— = LINE OF WEATHER BARRIER

2" EIFS SYSTEM Minimum Sill Slope

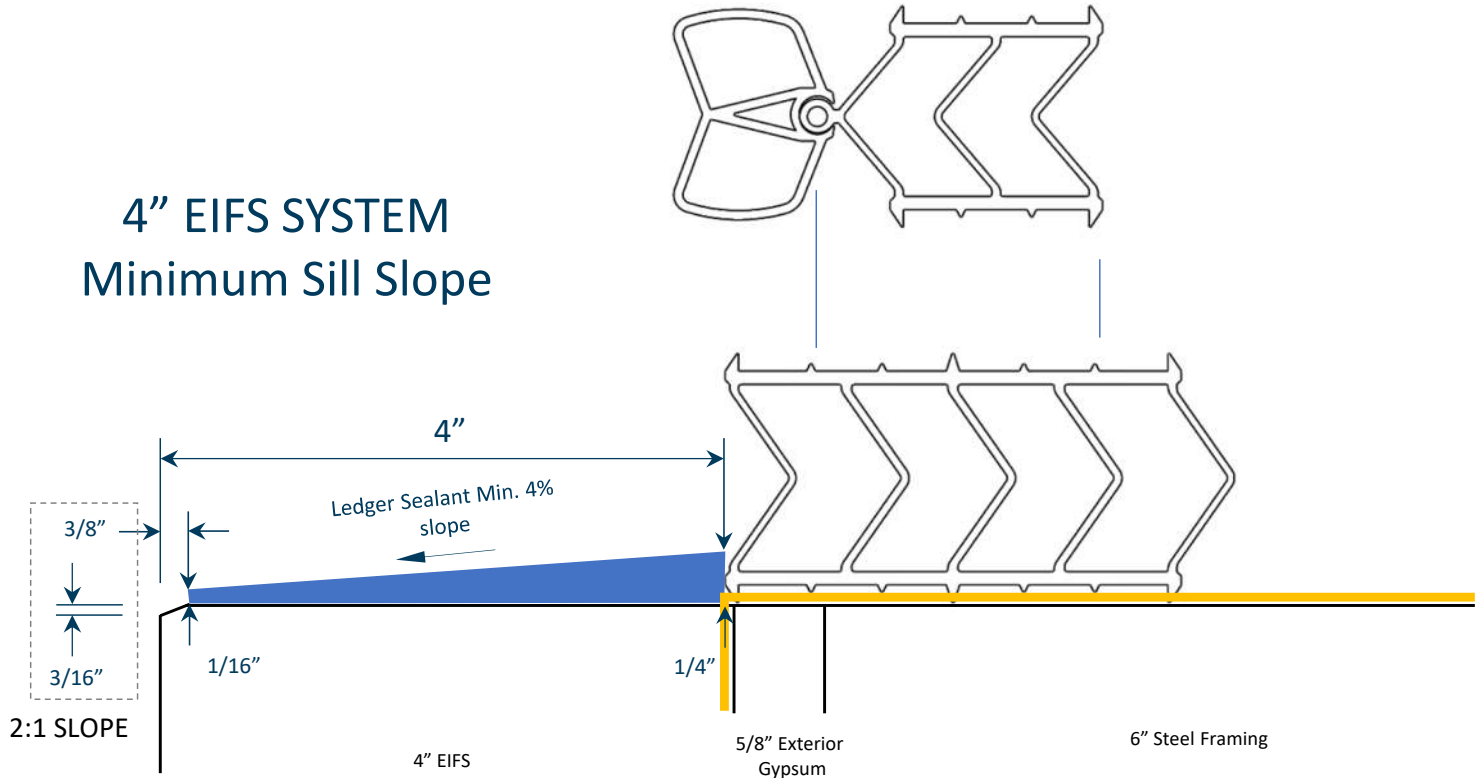


2" EIFS SYSTEM with Maximum Sill Slope

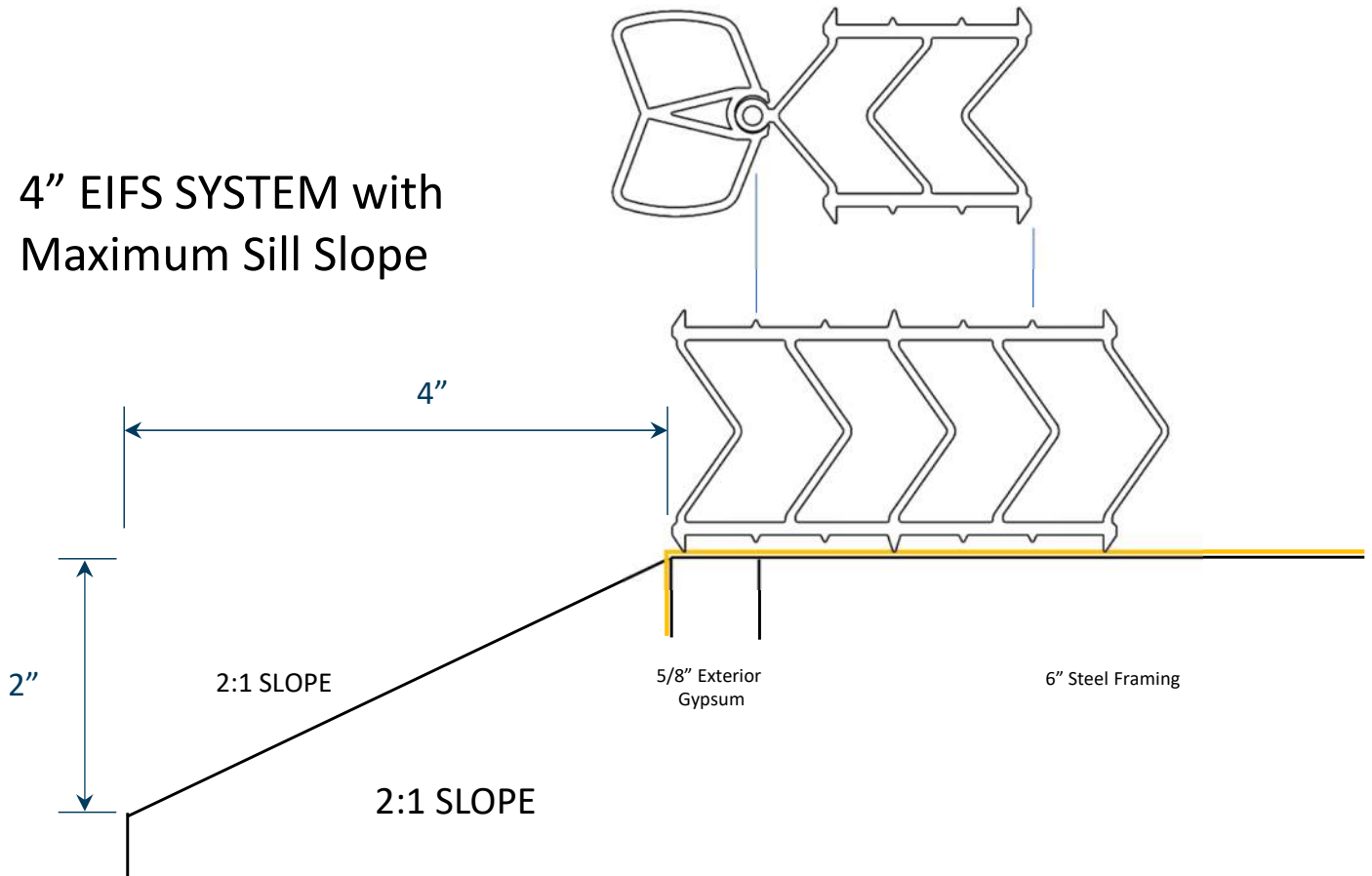


— = LINE OF WEATHER BARRIER

4" EIFS SYSTEM Minimum Sill Slope

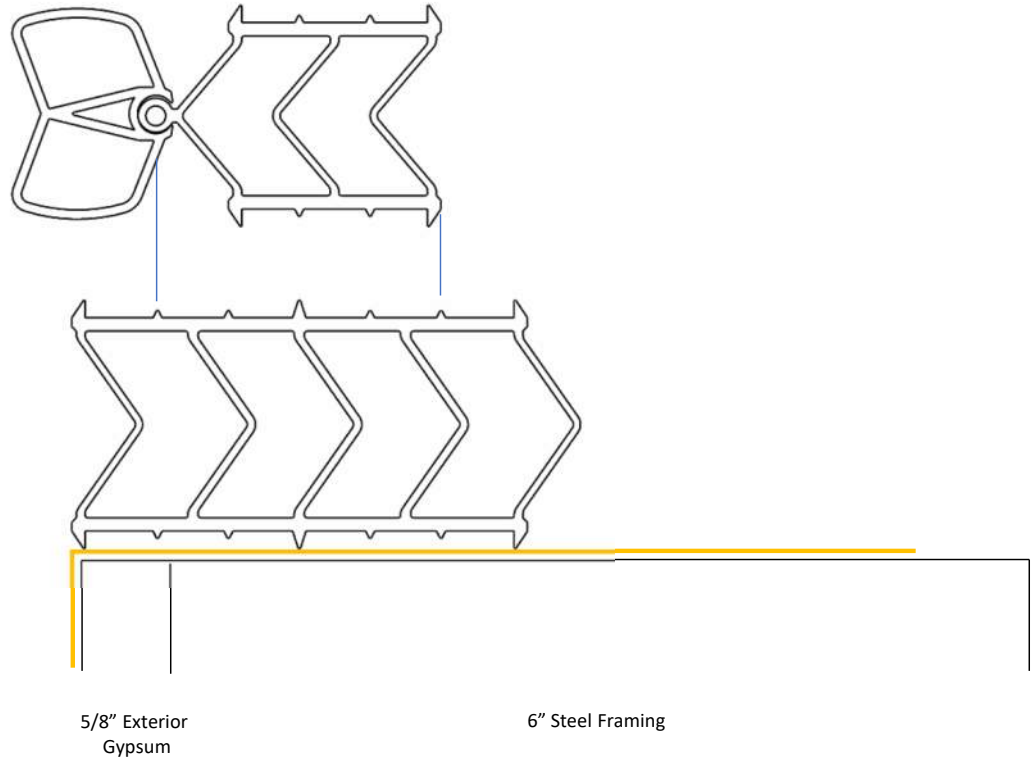


4" EIFS SYSTEM with Maximum Sill Slope



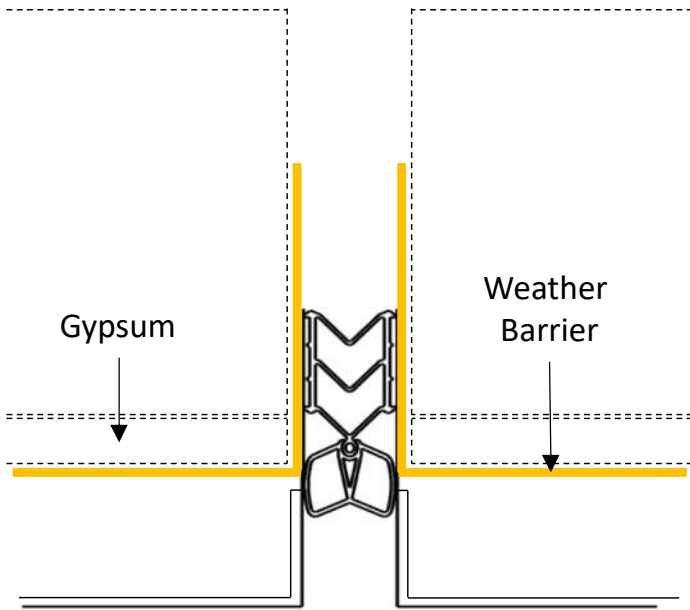
— = LINE OF WEATHER BARRIER

BACK-UP SYSTEM

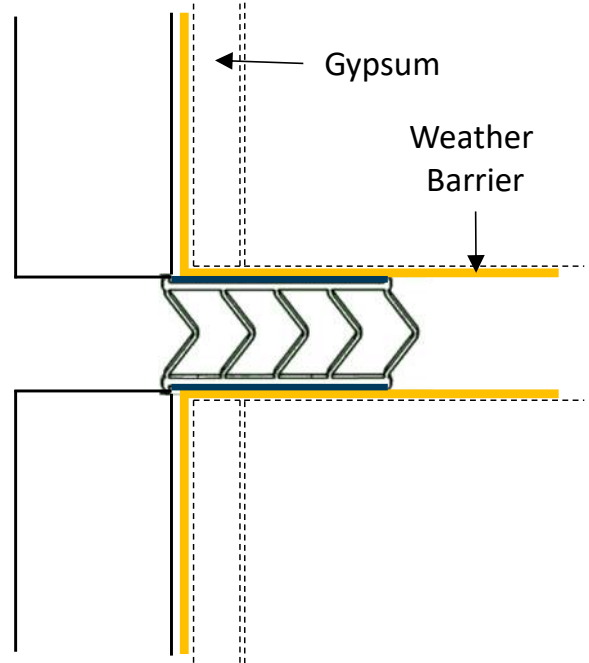


FINAL DRAFT
Remove this
note after
review

Back-up Panel Weather Barrier

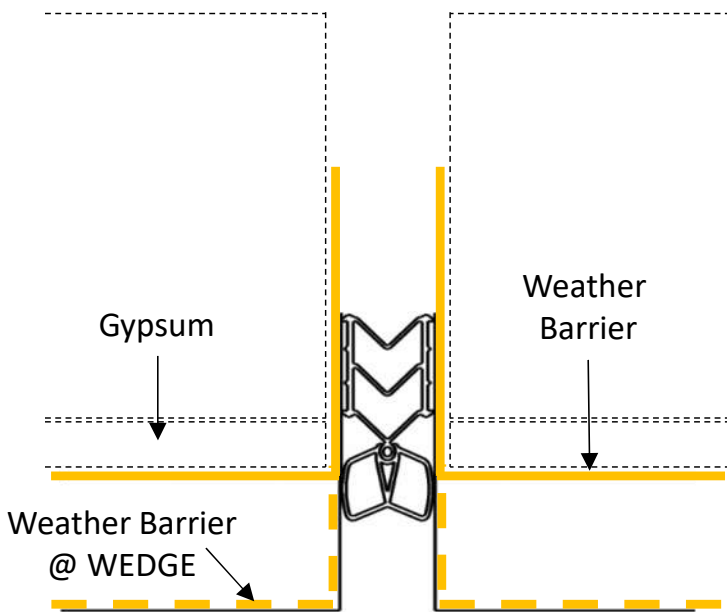


VERTICAL SEAL / WEATHER BARRIER
FOR BACK-UP PANEL

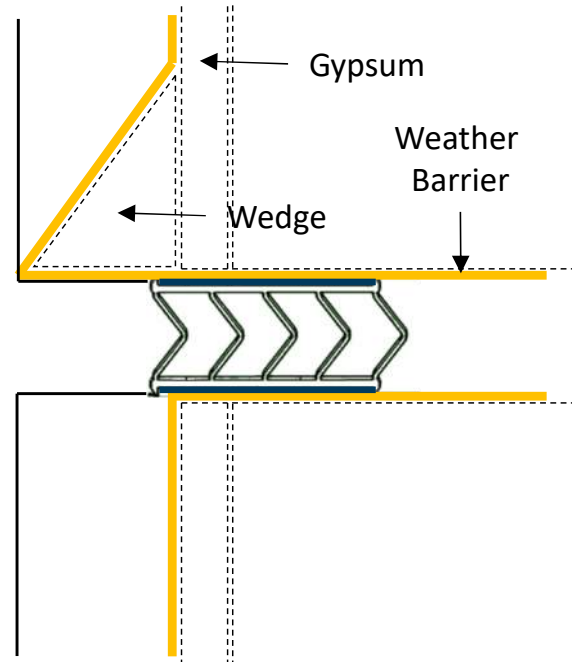


HORIZONTAL SEAL / WEATHER BARRIER
FOR BACK-UP PANEL

EIFS Panel Weather Barrier



VERTICAL SEAL / WEATHER BARRIER
FOR EIFS PANEL

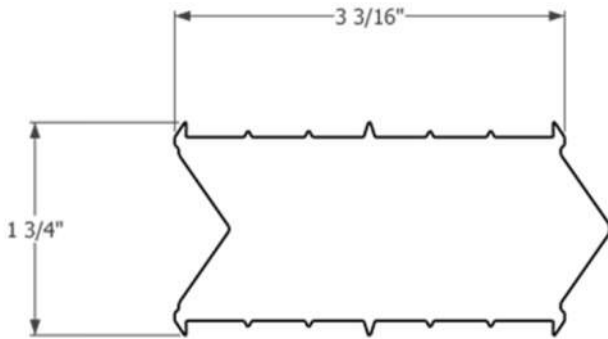


HORIZONTAL SEAL / WEATHER BARRIER
FOR EIFS PANEL

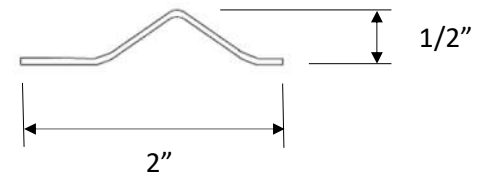
ISEAL Gasket Geometry

NOTE: All dimensions show gaskets in non-compressed condition

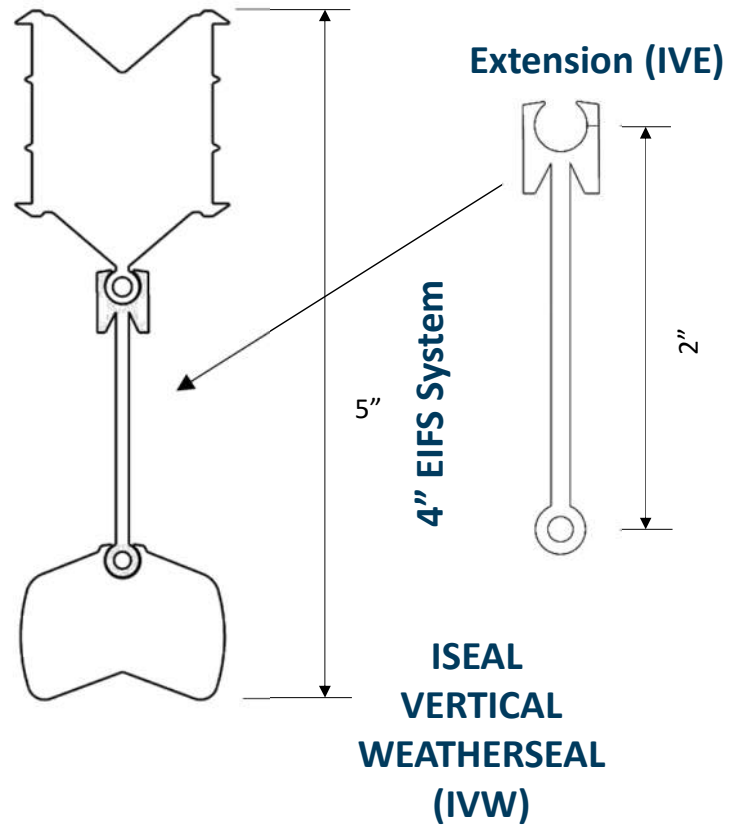
ISEAL HORIZONTAL BASE (IHB)



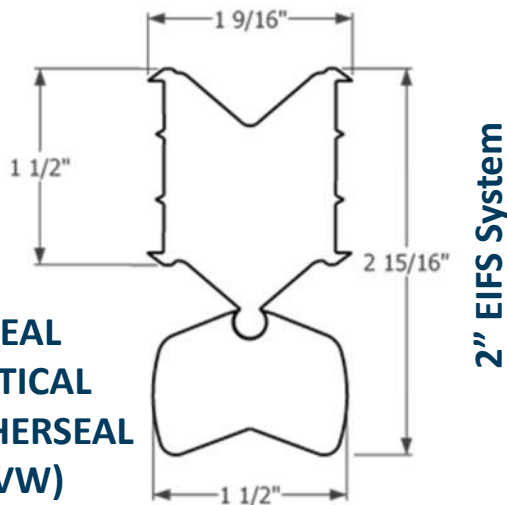
ISEAL HORIZONTAL SPLICE (IHS)



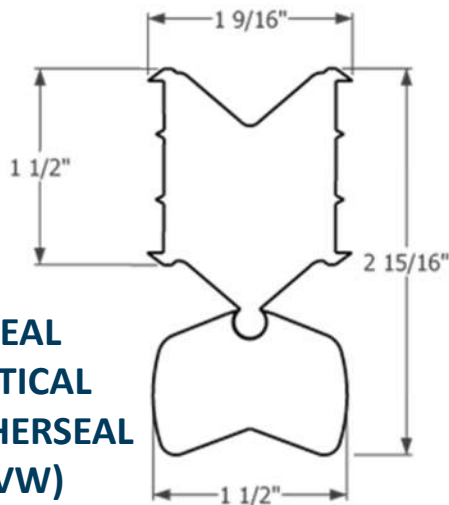
ISEAL VERTICAL BASE (IVB)



ISEAL VERTICAL BASE (IVB)



ISEAL VERTICAL WEATHERSEAL (IVW)



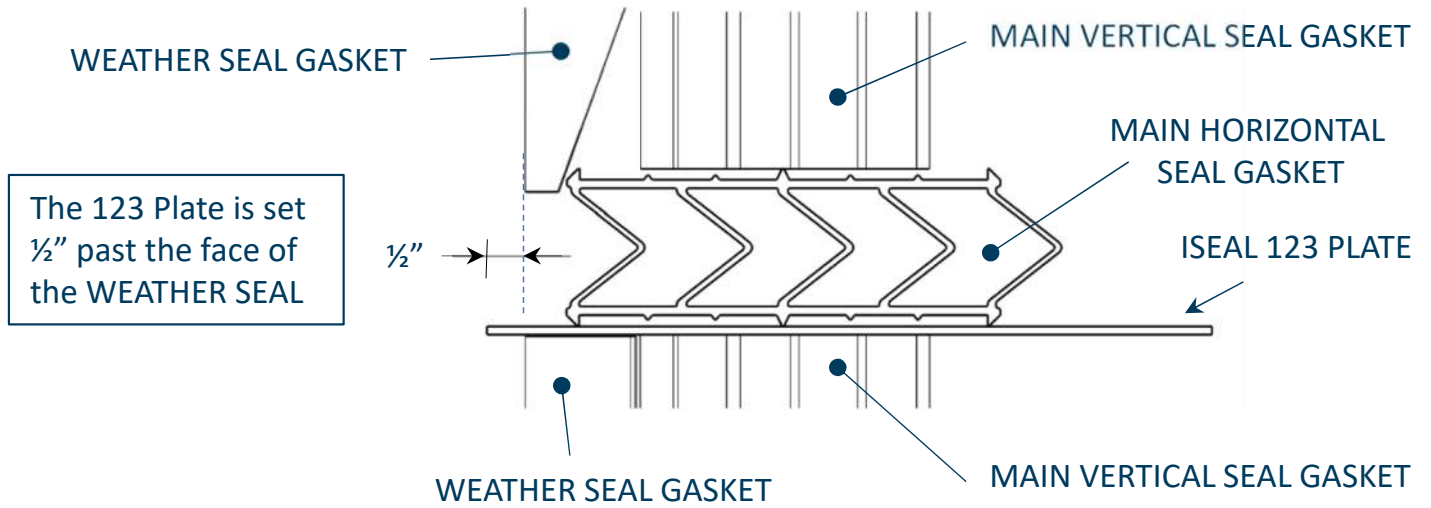
ISEAL EP GASKET PARTS

	ITEM	DIMENSIONS		SKU
ISEAL EP / HORIZONTAL SEAL / BASE	IHB	3 3/16"	1 3/4"	IHB318751750
ISEAL EP / HORIZONTAL SEAL / SPLICE	IHS	1/16"	1 7/8"	IHS318751750
ISEAL EP / VERTICAL SEAL / BASE	IVB	1 1/2"	1 9/16"	IVB150001625
ISEAL EP / VERTICAL WEATHER SEAL	IVW	1 1/4"	1 1/2"	IVW112501500
ISEAL EP / VERTICAL WEATHER SEAL EXTENSION	IVE	1/8"	2"	IVE002503000

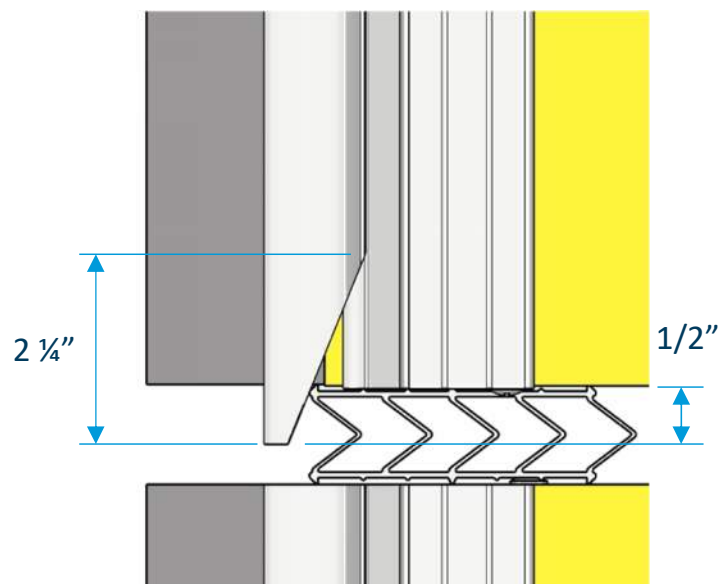
NOTE: STANDARD COLORS ARE GREY OR BLACK

DOWSIL Materials

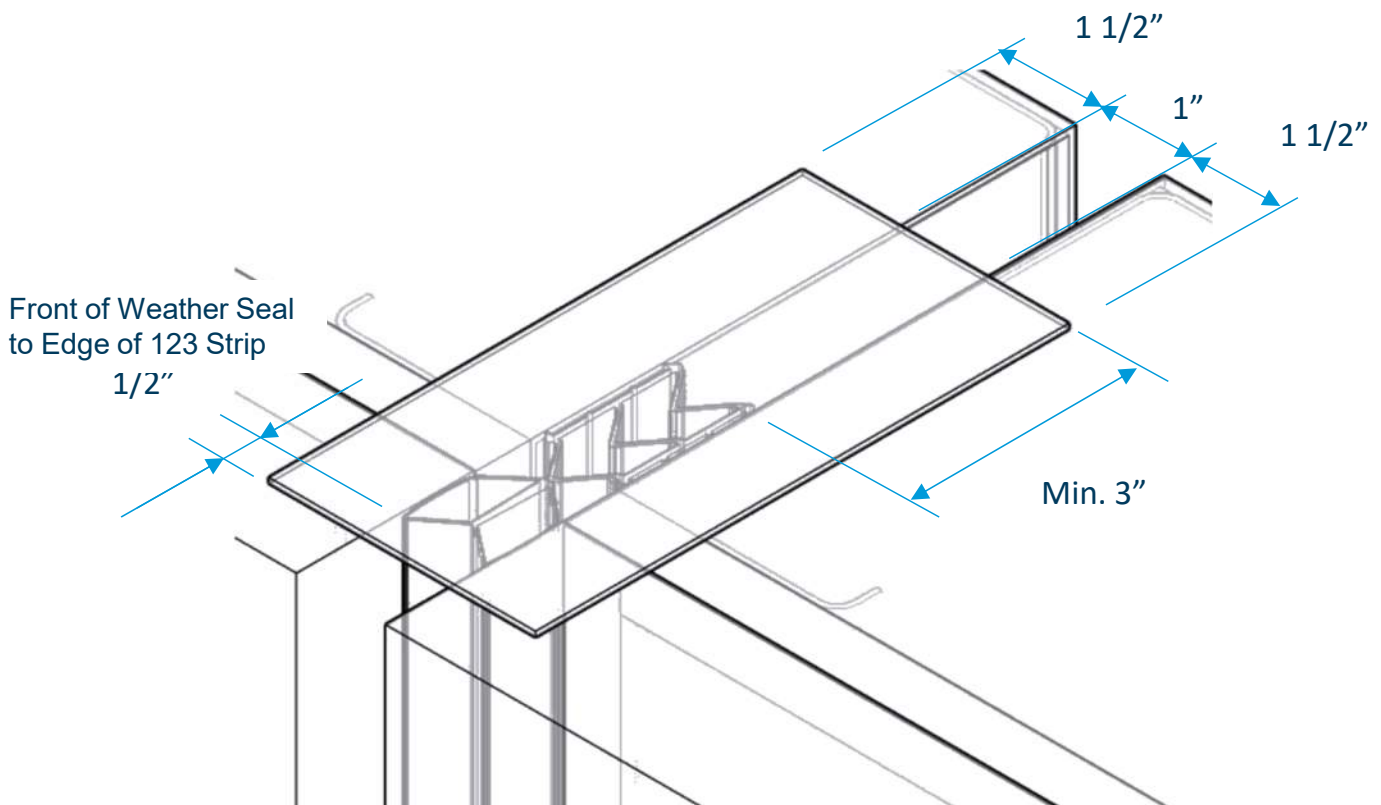
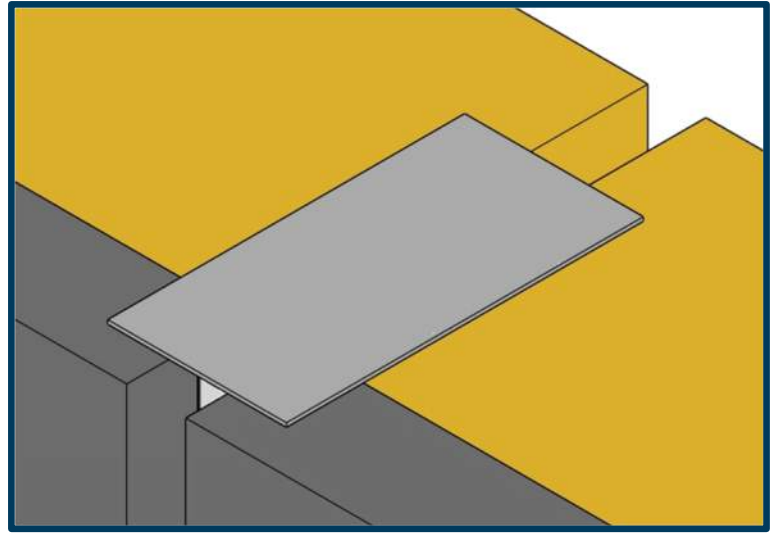
DOWSIL 795 SEALANT
DOWSIL 123, 4" width



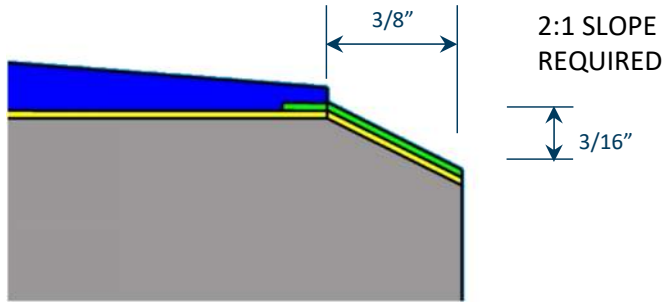
WEATHER SEAL SLOPE



**123 PLATE BUTTERED TO
TOP OF VERTICAL SEAL**

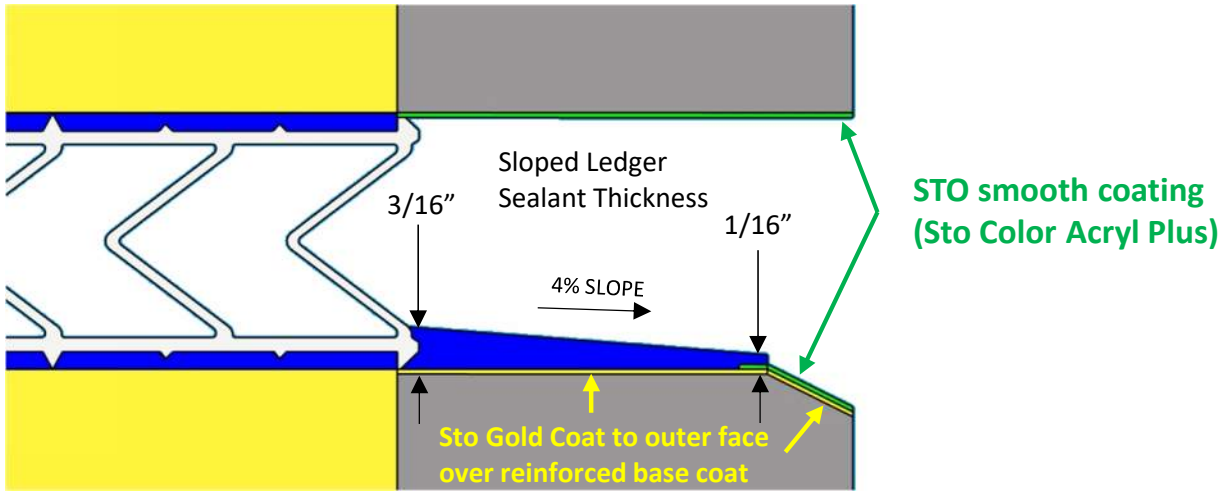


**Sloped Sill
EIFS Protection**

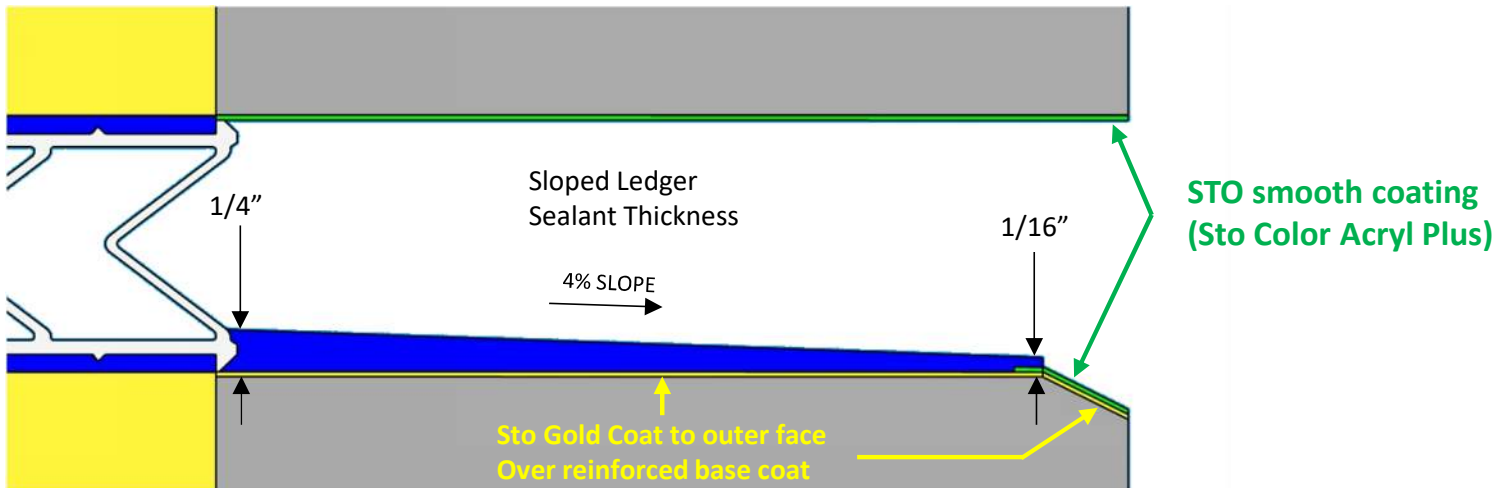


- NOTES:
1. DOW 795 SEALANT
 2. Consult STO for additional information
 3. MINIMUM 2:1 Slope required at all EIFS protected Sills

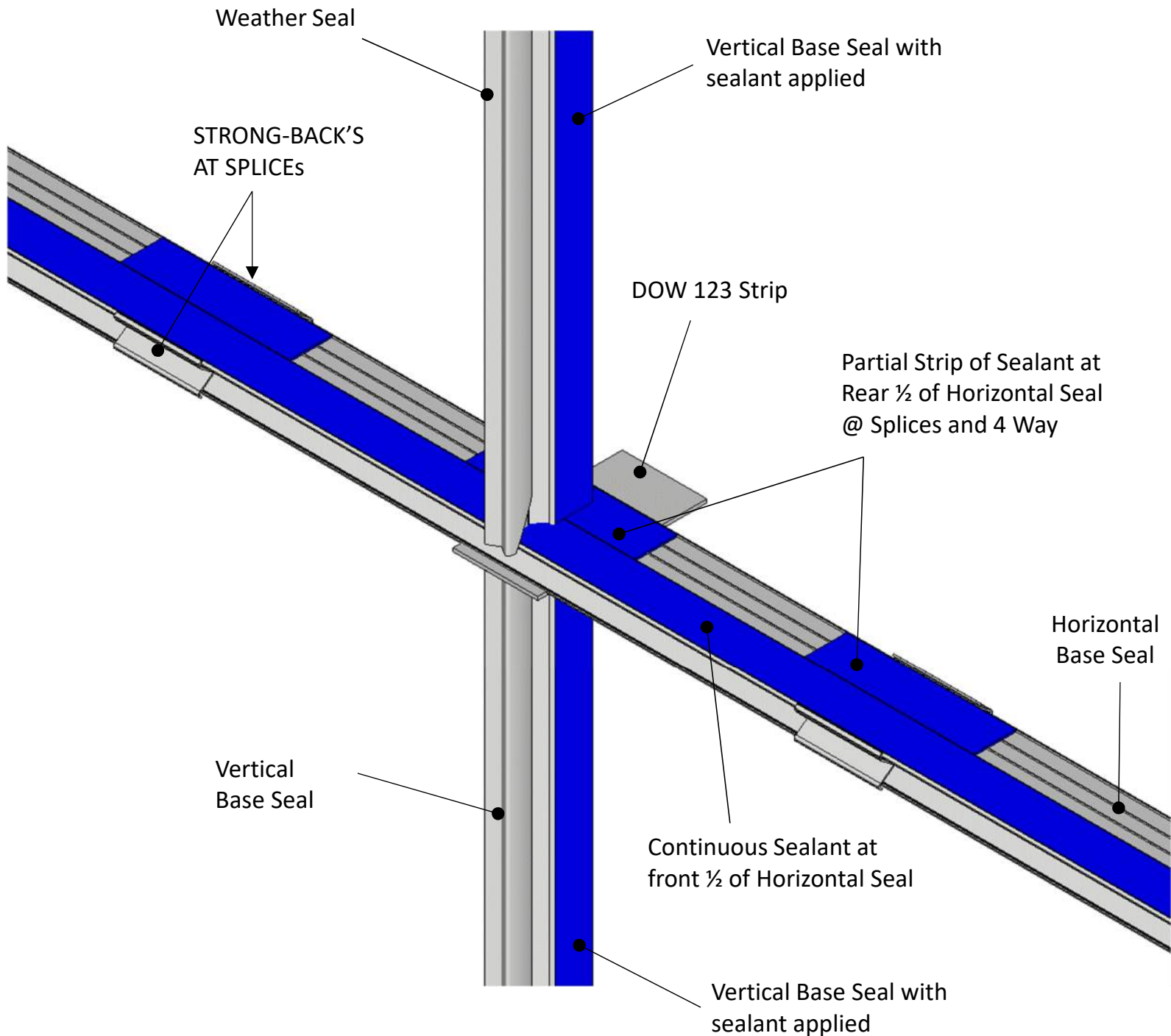
2" EIFS System



4" EIFS System



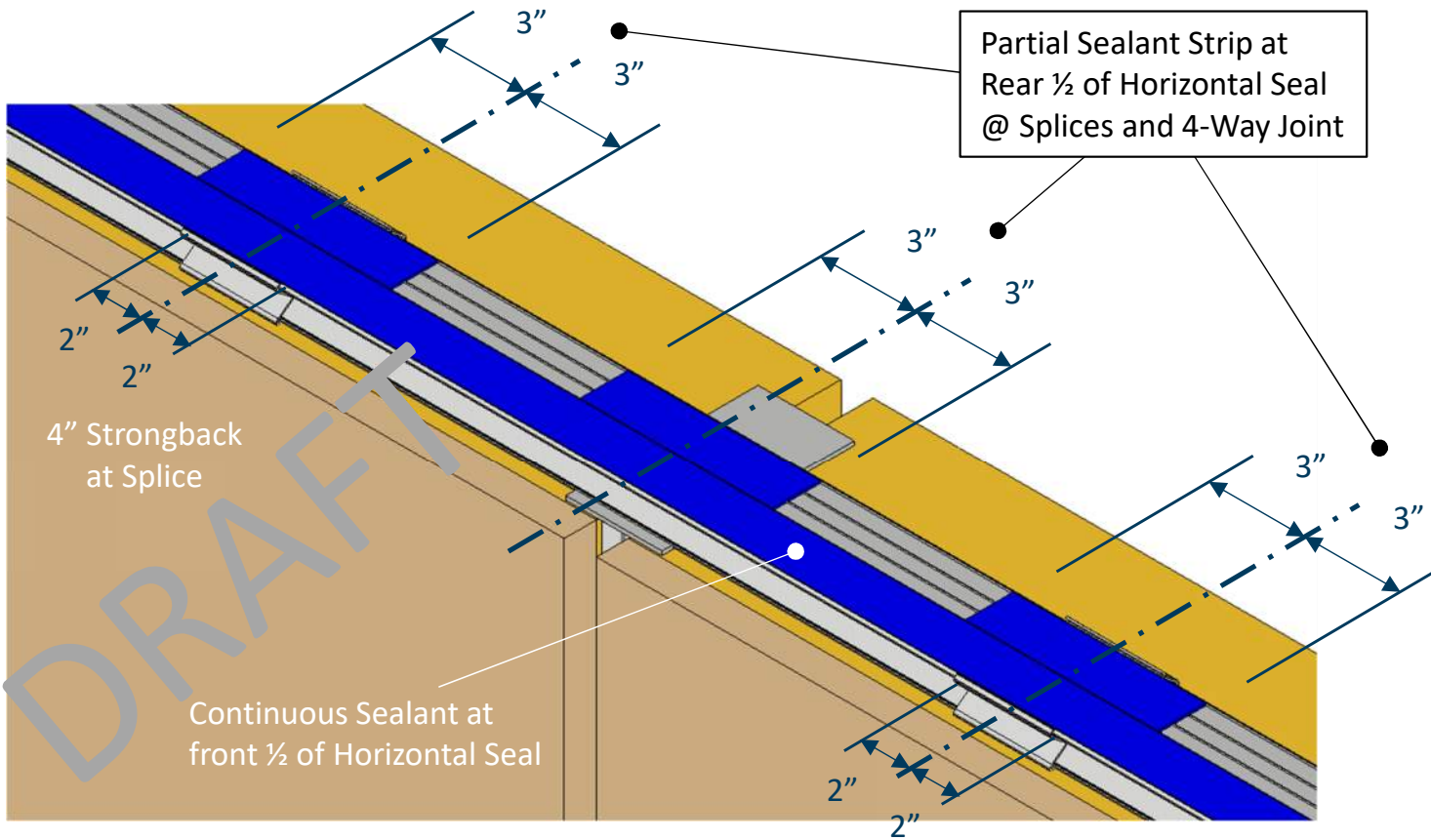
ISEAL TYPICAL SEALANT LOCATIONS



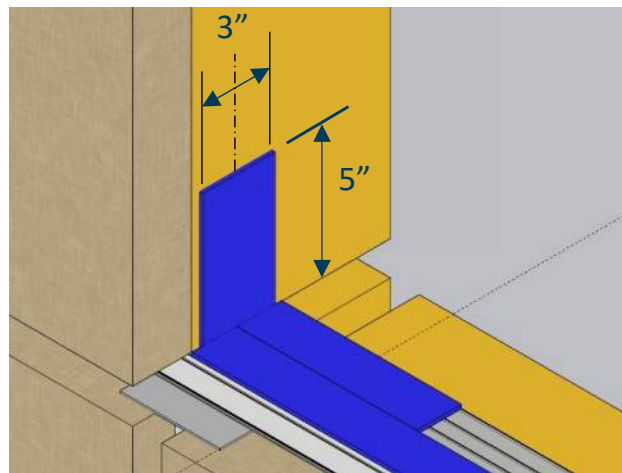
NOTE:

1. Use only Gasket Materials that are labelled as follows: ISEAL EP VERIFIED & INSPECTED
2. Sealant is DOWSIL 795 U.N.O.

ISEAL TYPICAL HORIZONTAL SEALANT



ISEAL TYPICAL SEALANT HEAL BEAD

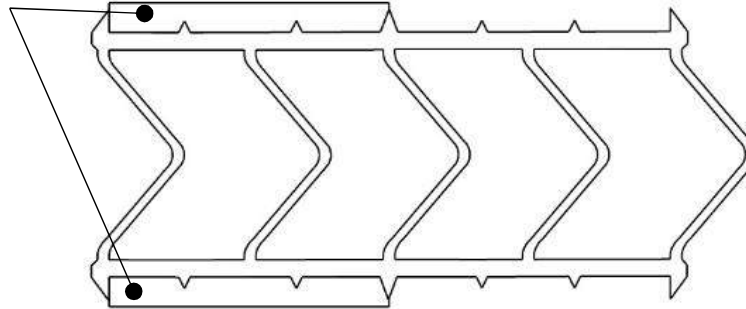


NOTE:

1. Use only Gasket Materials that are labelled as follows: ISEAL EP VERIFIED & INSPECTED
2. Sealant is DOWSIL 795 U.N.O.

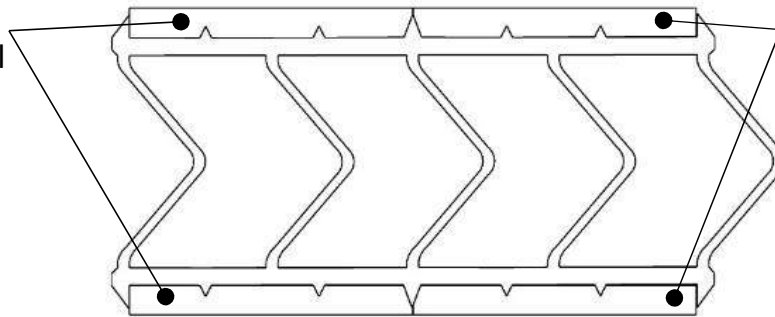
TYPICAL HORIZONTAL SEAL SECTION

Continuous Sealant at front ½ of Horizontal Seal



HORIZONTAL SEAL SECTION @ 4 WAY JOINT

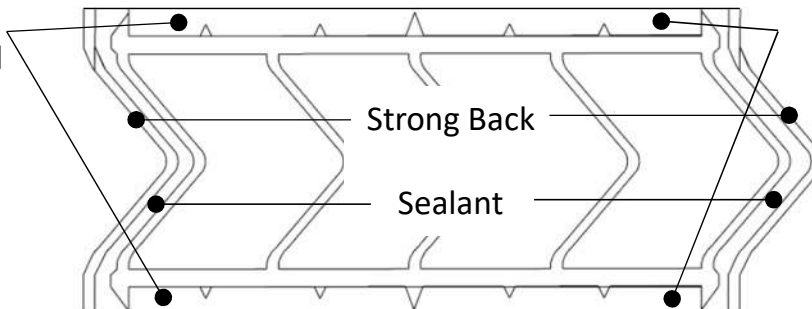
Continuous Sealant at front ½ of Horizontal Seal



Partial Sealant Strip at Rear ½ of Horizontal Seal

HORIZONTAL SEAL SECTION @ SPLICE

Continuous Sealant at front ½ of Horizontal Seal



Partial Sealant Strip at Rear ½ of Horizontal Seal

NOTE:

- 1. Use only Gasket Materials that are labelled as follows: ISEAL EP VERIFIED & INSPECTED
- 2. Sealant is DOWSIL 795 U.N.O.

SEALANT TOOLS



Whistle Tips for installing sealant IN-PLACE



SPLICE BLOCKS



GASKET HOLDER for
making corners



BEVEL CUTTER

RECCOMENDED BASIC TOOLS TO PURCHASE



CAULKING GUN



CAULKING
KNIVES



PAPER TOWELS
& RAGS



UTILITY KNIVES



CLEANER



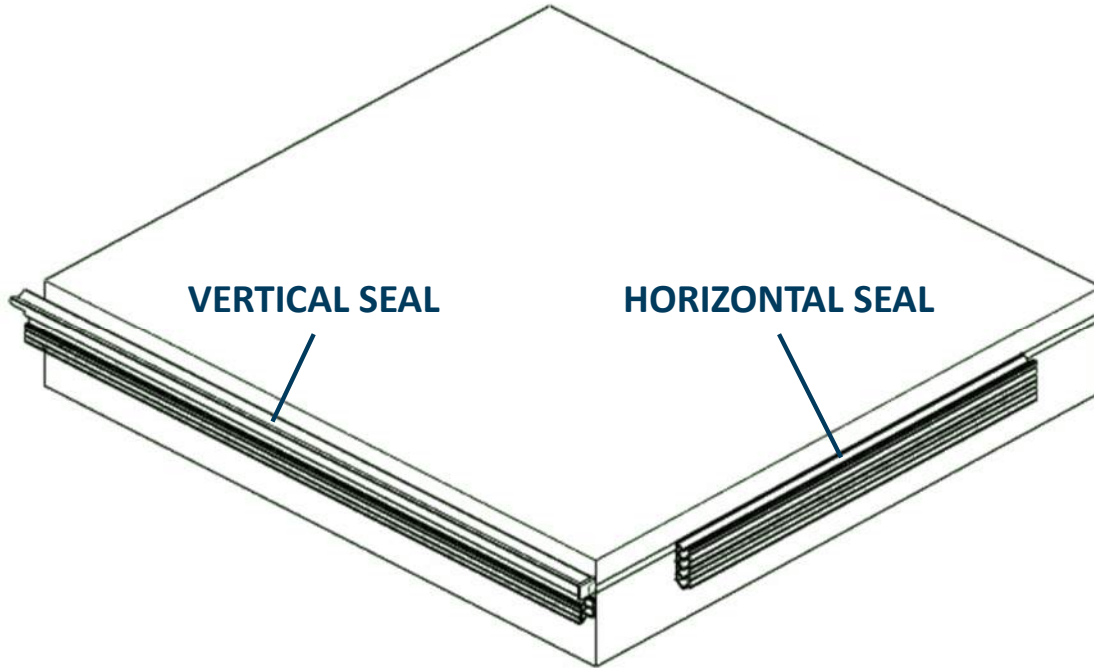
GASKET CUTTER
only required in shop



4" ROLLER

1. Battery powered caulking gun, Milwaukee M18 Cordless 20-oz Clear Barrel Caulk and Adhesive Gun Kit, "product # 2643-21CT" \$ 339.00
2. DOWSIL 795, 20 oz sausages, color BLACK
3. Standard caulking gun 10 oz, any brand \$ 20.00
4. DOWSIL 795, 10 oz cartridges, color BLACK
5. Caulking gun with clutch for sausages 20 oz, ALBION \$ 135.00
6. Large Utility Knife and spare blades
7. Caulking Tips
8. Caulking knife tool set \$ 58.00
9. Gasket Cutter CCS-350-S \$ 2,265.00

**PANELS ARRIVE ON SITE, SEALS CAN BE
SUBSTANTIALLY INSTALLED IN THE PLANT**



ASSEMBLE VERTICAL ISEAL GASKETS



Assembled Vertical Gaskets



Place 1/8" bead of sealant continuous



**Squeeze Weather Seal and push onto Main
Vertical Seal**

VERTICAL ISEAL GASKET


**1. CLEAN GASKET &
INSTALL SEALANT
ON GASKET**



**2. PUSH GASKET WITH WET
SEALANT INTO FINAL POSITION**




**Gasket can also be SUPPORTED IN FINAL
POSITION with a 2 X 4 clamped to panel**



**1. CLEAN GASKET & INSTALL
SEALANT AS SPECIFIED**

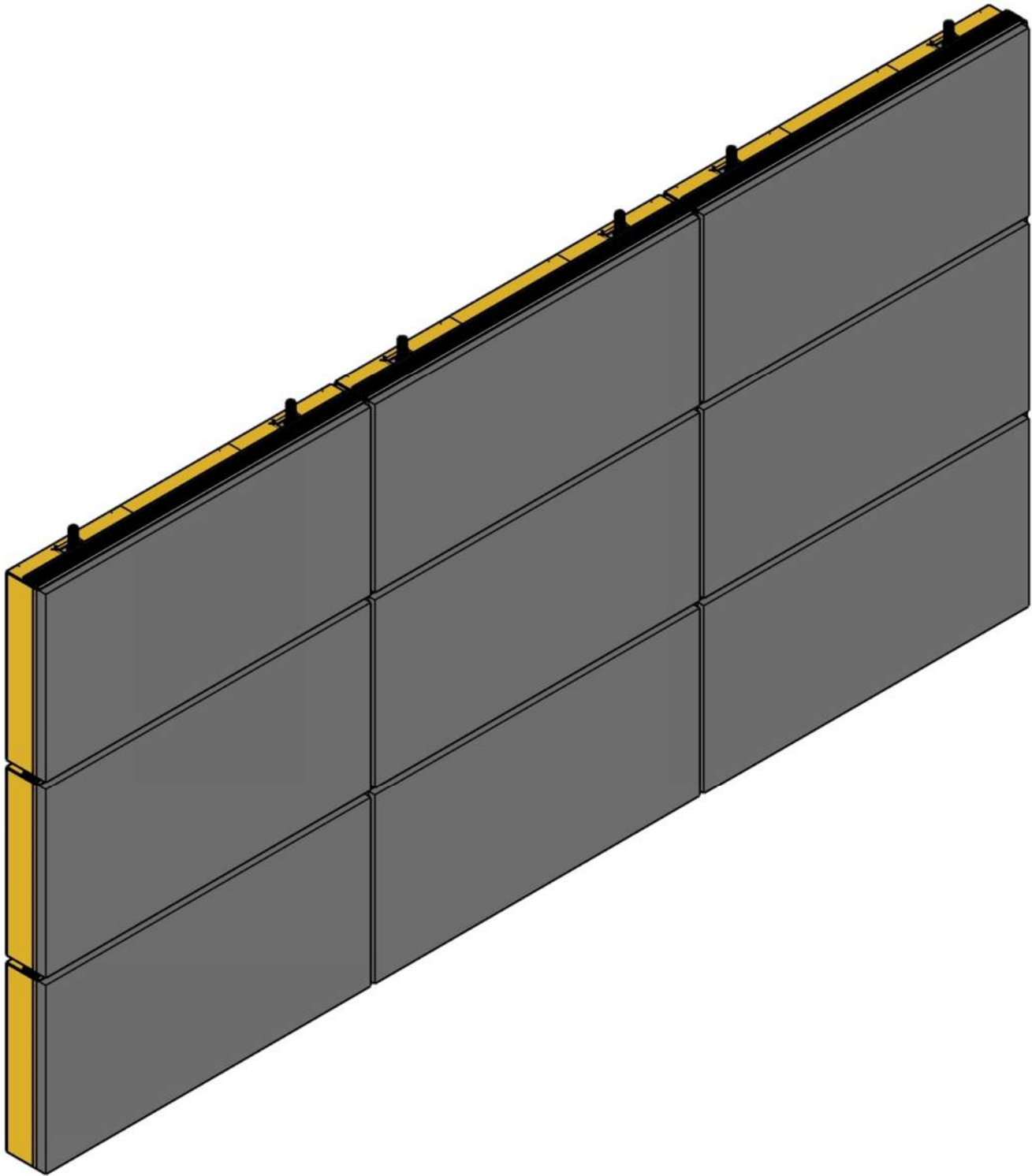
HORIZONTAL SEAL SYSTEM



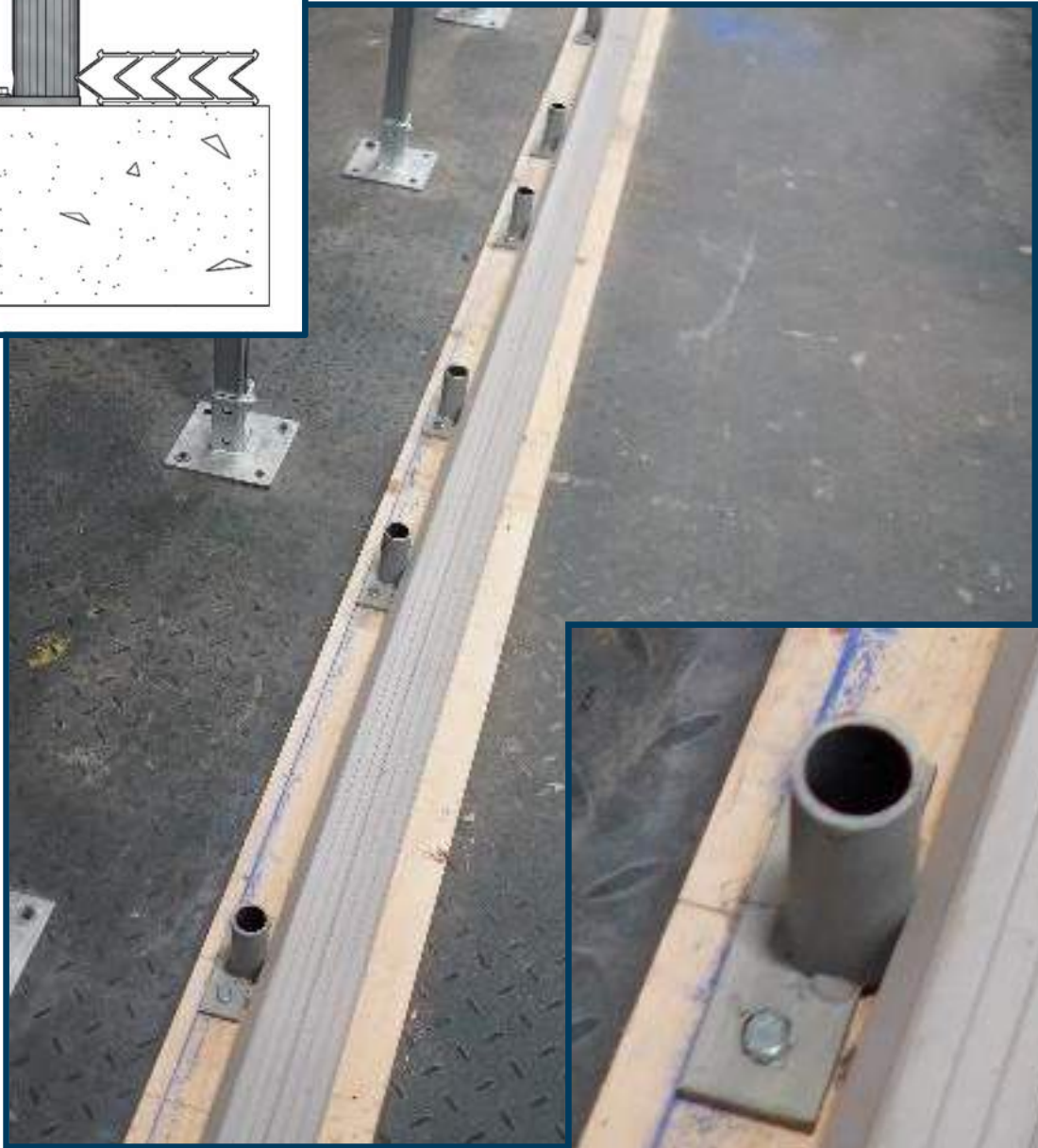
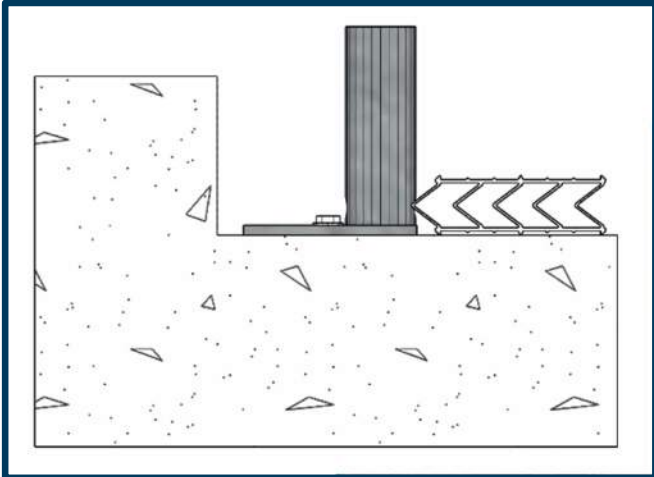
**2. PUSH GASKET WITH WET
SEALANT INTO FINAL POSITION**

Gasket can also be SUPPORTED IN FINAL POSITION by using a 2 X 4 clamped to the panel

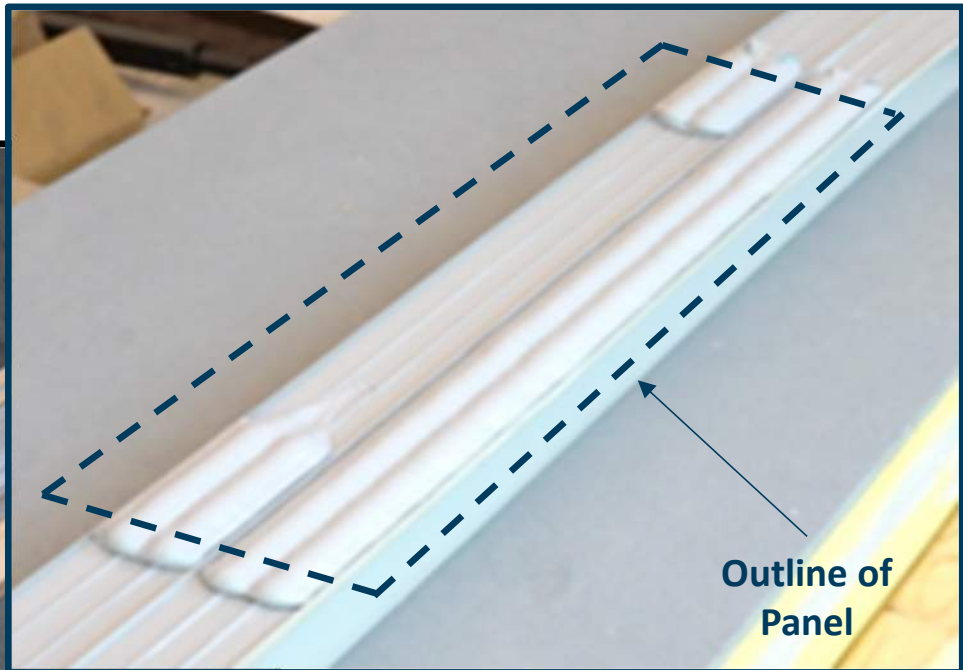
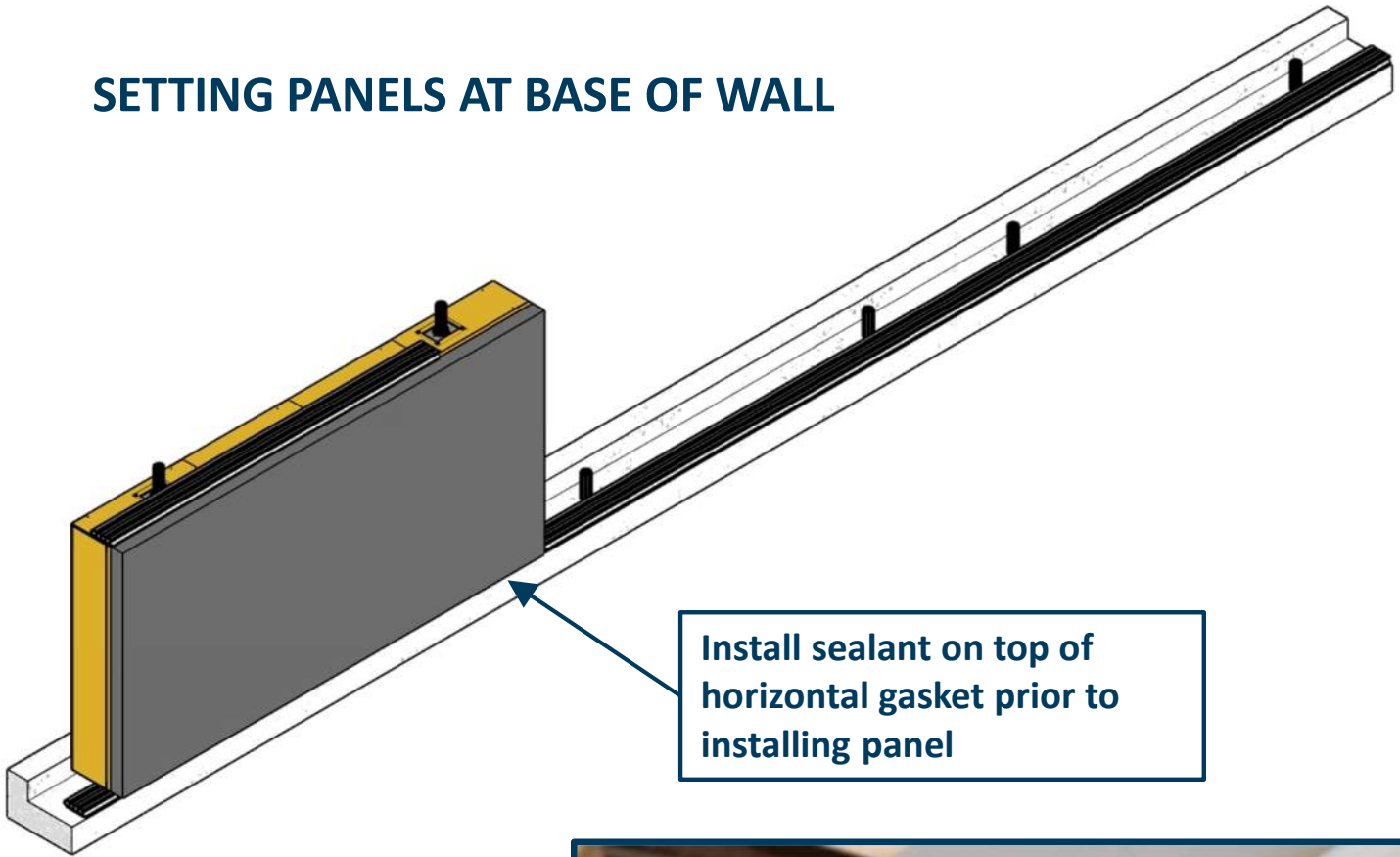
**BUILD SMALL EXAMPLE WALL
TO SHOW TYPICAL CONSTRUCTION DETAILS**



INSTALLING ISEAL GASKET AT BASE OF WALL



SETTING PANELS AT BASE OF WALL



INSTALL SEALANT TOP SIDE OF HORIZONTAL GASKET

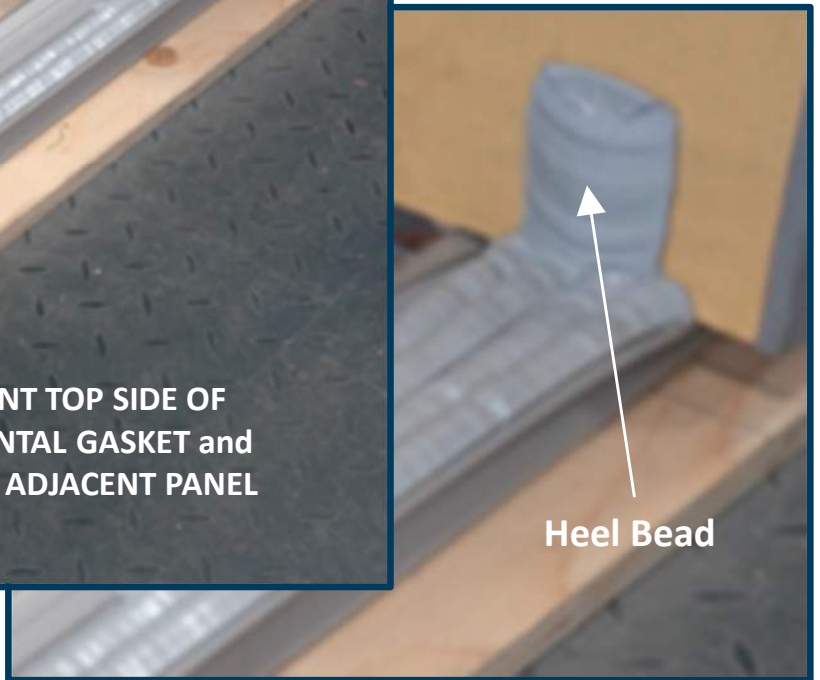
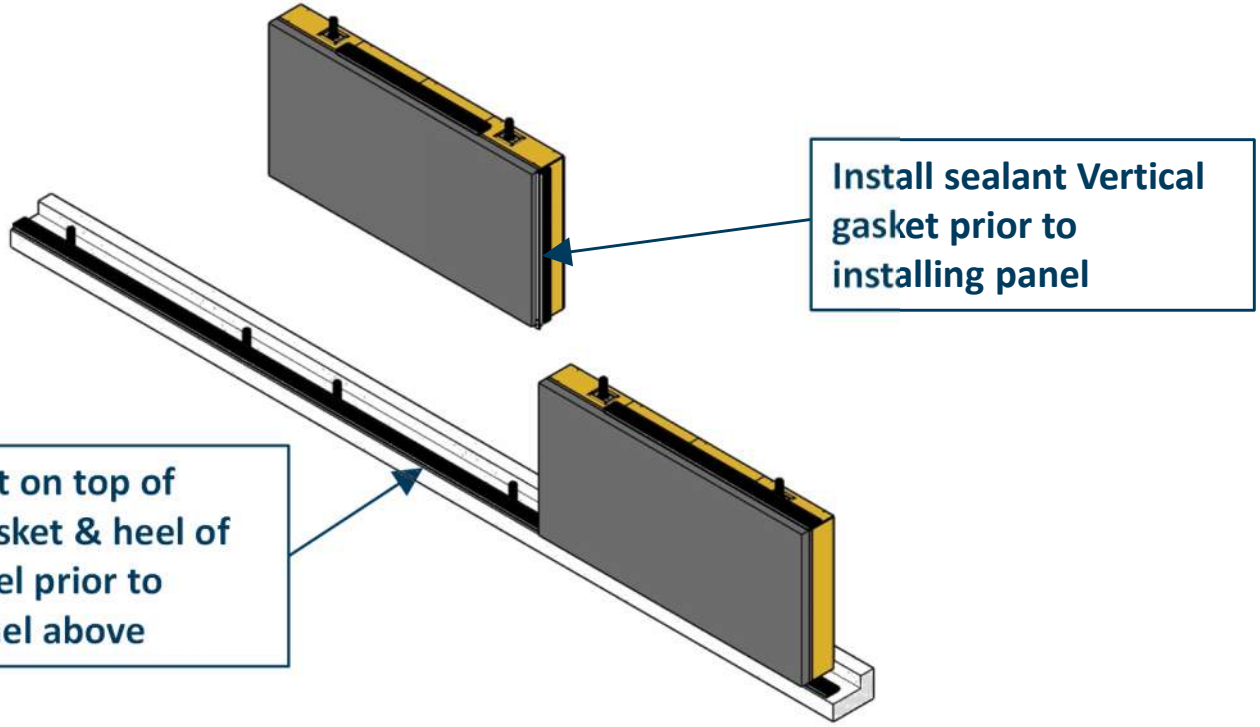
INSTALLING FIRST PANEL AT BASE OF WALL



**Install the Curtain
Wall Support System**



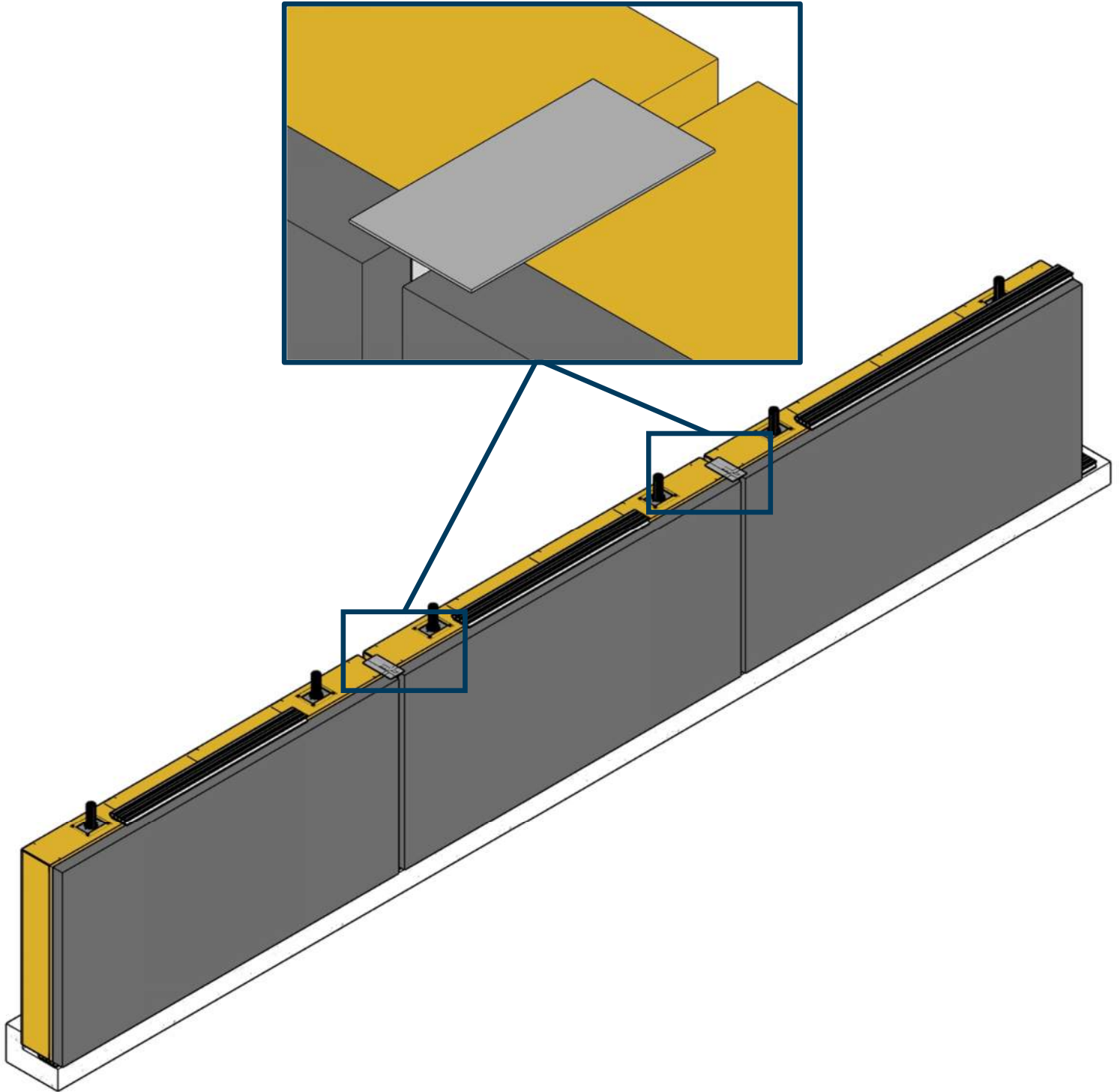
THE STEEL NETWORK DriftTrak® DTLB system was utilized to accommodate extreme panel movements prescribed by AAMA 501.4 & 501.6 Testing



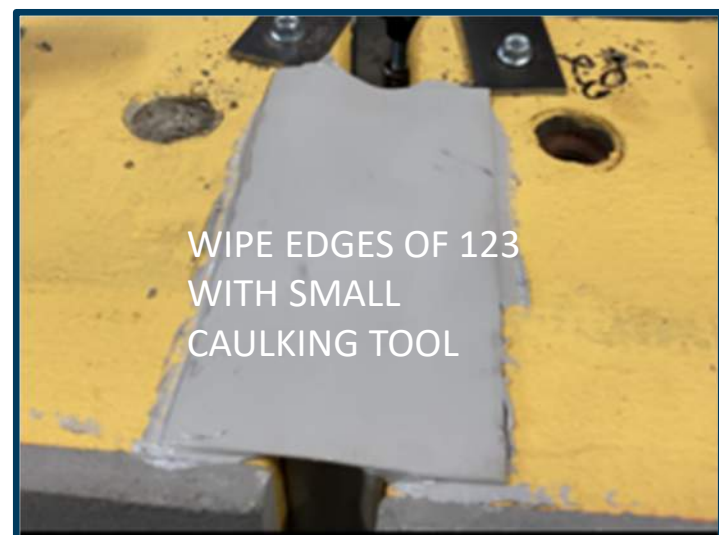
SETTING ADDITIONAL PANELS AT BASE OF WALL



INSTALL 123 STRIP AT TOP OF VERTICAL PANEL JOINTS



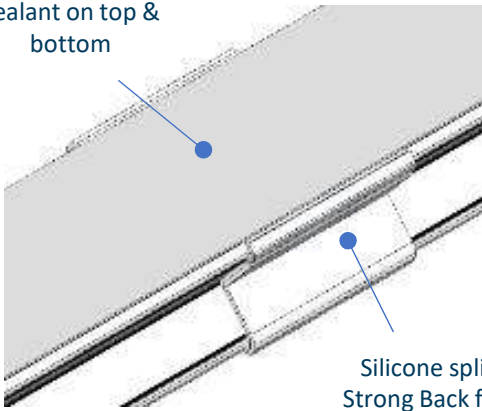
123 STRIP BUTTERED TO TOP OF VERTICAL PANEL JOINTS



INSTALLING HORIZONTAL SEAL SPLICE and Tacking

Exoskeletal Seal Splice Outside Face

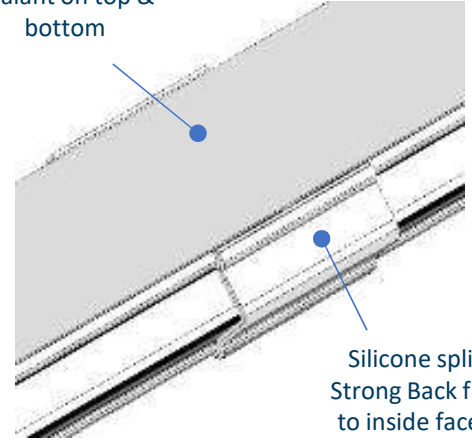
Sealant on top & bottom



Silicone splice
Strong Back fixed
to outside face
of seal with
silicone sealant

Exoskeletal Seal Splice Inside Face

Sealant on top & bottom



Silicone splice
Strong Back fixed
to inside face of
seal with silicone
sealant



Install Buttered Inside & Outside Strong-Back



Press Strong-Backs
Into place with blocks



Tacking Top of Splice



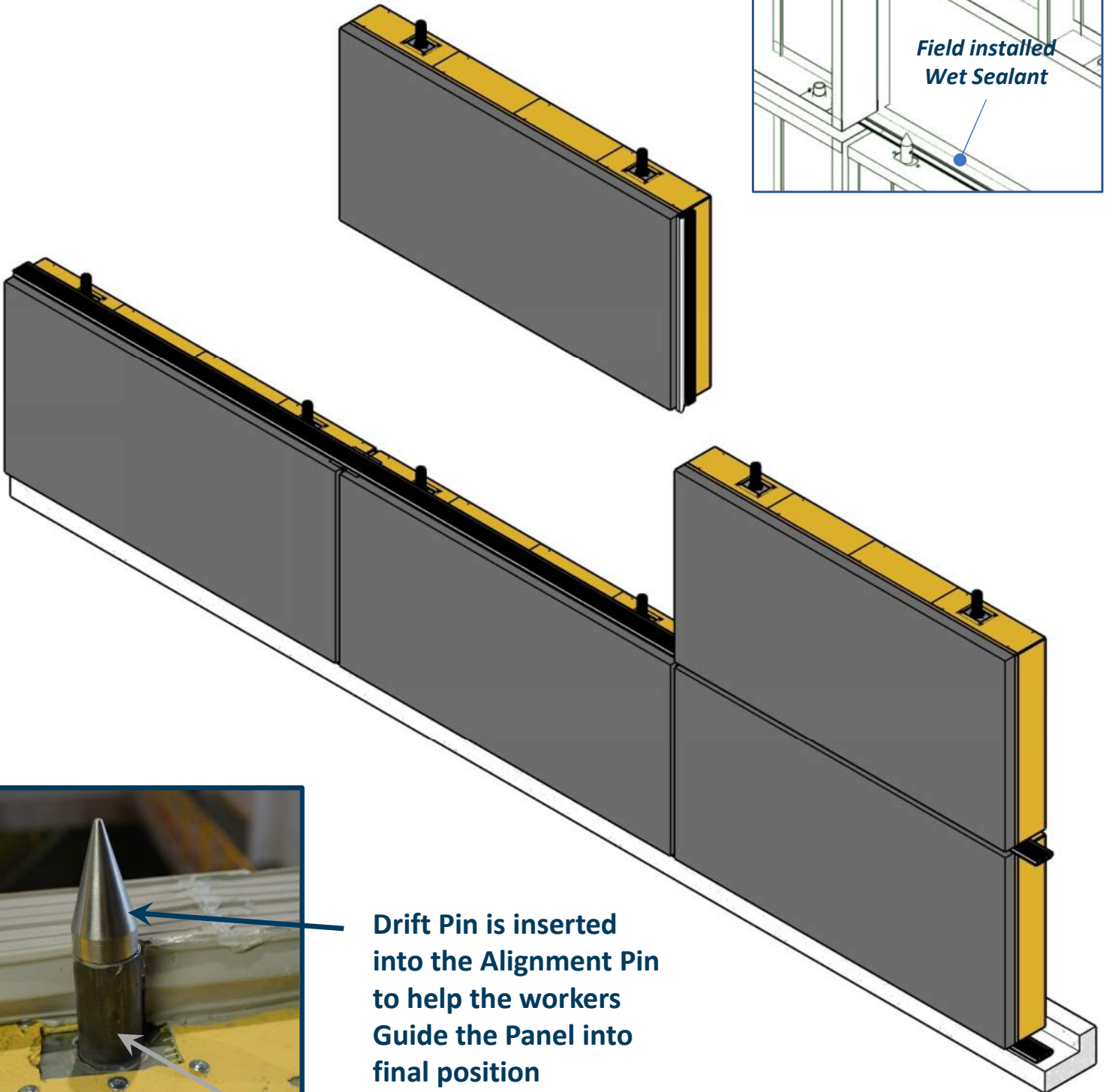
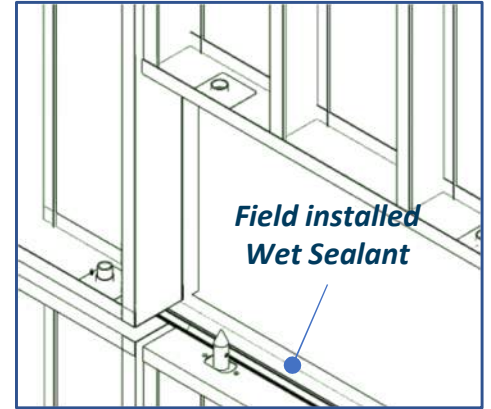
Trim after
sealant cures

Sealant on Vertical seal prior to installation of panel



Sealant being Installed
on Vertical Seal on site
prior to panel being hoisted

STACKING PANELS



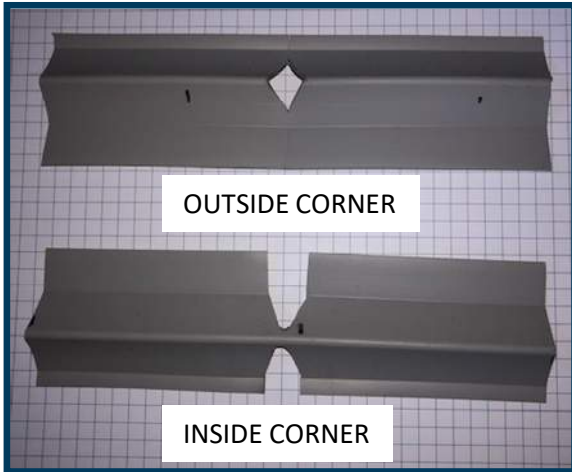
Drift Pin is inserted into the Alignment Pin to help the workers Guide the Panel into final position

Alignment pin

STACKING PANELS



BUILDING CORNERS



Use the Corner Stamp to provide the corner cut-outs in Strong-Backs

Corner Blocks hold Strong-Back in place until sealant cures



Apply Sealant on Strong-Back



Set Strong-Back on corner



Set Strong-Back on corner